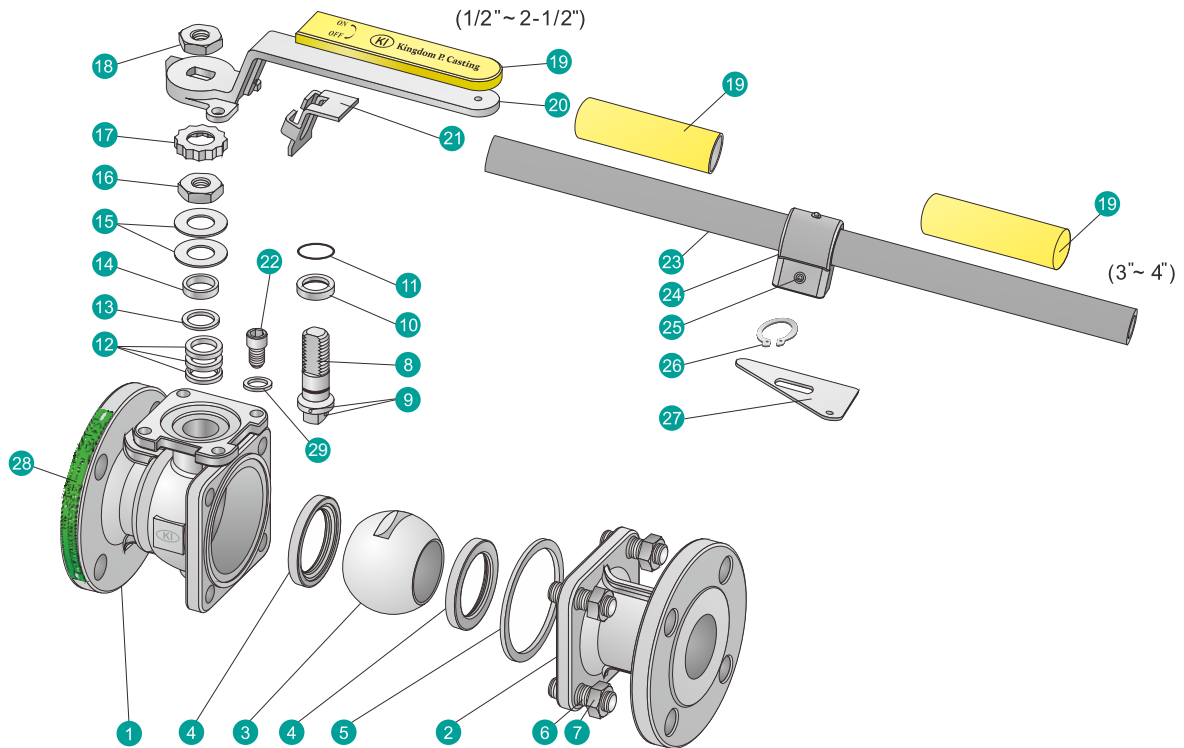


Standard	ANSI/ASME	DIN	JIS
Rating	B16.34 CLASS 150 (BS EN ISO17292 CLASS 150) B16.34 CLASS 300 (BS EN ISO17292 CLASS 300)	DIN 3357 PN10 - PN40 EN 12516-1	B2001 10K B2001 20K
Face to Face	B16.10	DIN 3202 F4/F18 DIN 3202 F1/F17 EN 558 Series28 / Series27	B2002 10K Form 6 B2002 20K Form 10
Connection Facing	B16.5RF serrated Finish (AARH200 or Ra. 6.3 um)	DIN EN1092-1	B2220 10K B2220 20K
Inspection & Testing	API 598, API 6D	DIN 3230/3, EN 12266	JIS B2003
Quality Assurance	ISO 9001, QS9000 AD 2000 - Merkblatt W0 PED 97/23/EC CE 0036 API 6D	ISO 9001, QS9000 AD 2000 - Merkblatt W0 PED 97/23/EC CE 0036 API 6D	ISO 9001, QS9000 AD 2000 - Merkblatt W0 PED 97/23/EC CE 0036 API 6D

### AVAILABLE OPTIONS

- Other Alloy are Available
- Casting per NACE/MR - 01 - 75 for Sour Gas Service.
- Inspection Certificate according to EN 10204 3.2 Form



### MATERIALS

NO.	PART NAME	MATERIALS		
		ANSI	ANSI	ANSI
1	Body	A351 - CF8M	A351 - CF8	A216 - WCB
2	End Cap	A351 - CF8M	A351 - CF8	A216 - WCB
3	Ball	A351 - CF8M	A351 - CF8	
4	Ball Seat		TFM1600/ PTFE / RTFE	
5	Body Gasket		PTFE / 316 SPIRAL WOUND+GRAFOIL*	
6	Bolting	A193-B8		A193-B7
7	Bolt Nut	A194-8		A194-2H
8	Stem	316	304	
9	Anti-Static Device	316	304	
10	Thrust Washer		PTFE	
11	O-Ring		FKM	
12	Stem Packing		PTFE / GRAFOIL*	
13	Bushing		50%SS+50%PTFE / 304*	
14	Gland		316	
15	Belleville Washer		301	
16	Stem Nut		A194 - 8	
17	Stop-lock-cap		304	
18	Lever Nut (1/2"~2-1/2")		A194 - 8	
19	Lever Sleeve (1/2"~2-1/2")		VINYL PLASTIC	
20	Lever (1/2"~2-1/2")		304	
21	Lock Device (1/2"~2-1/2")		304	
22	Stop Bolt		A2-70	
23	Pipe Handle (3"~4")		A53+Zn PLATED	
24	Handle Adapter (3"~4")		A351 - CF8	
25	Set Screw (3"~4")		A193 - B8	
26	Snap Ring (3"~4")		304	
27	Triangle Stopper (3"~4")		304	
28	Nameplate		304	
29	Bearing		304	

\*Materials for KV-060 Series (Fire-Safe Models)

**ASME CLASS 150/300**  
**2-PC Body, Flanged Ends, Full Port**

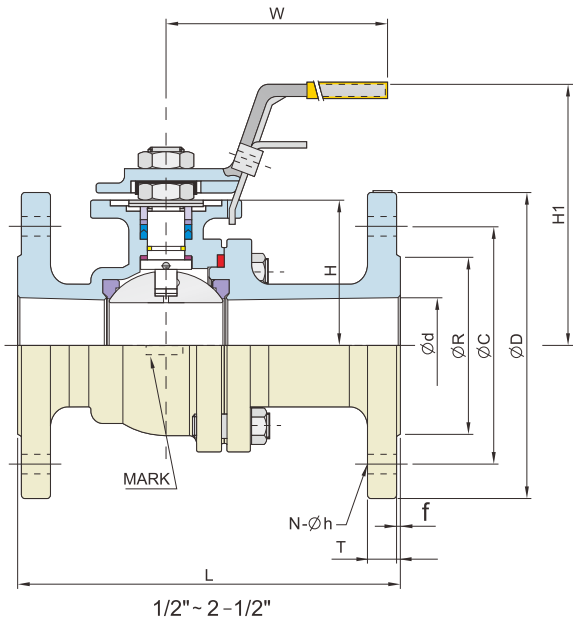
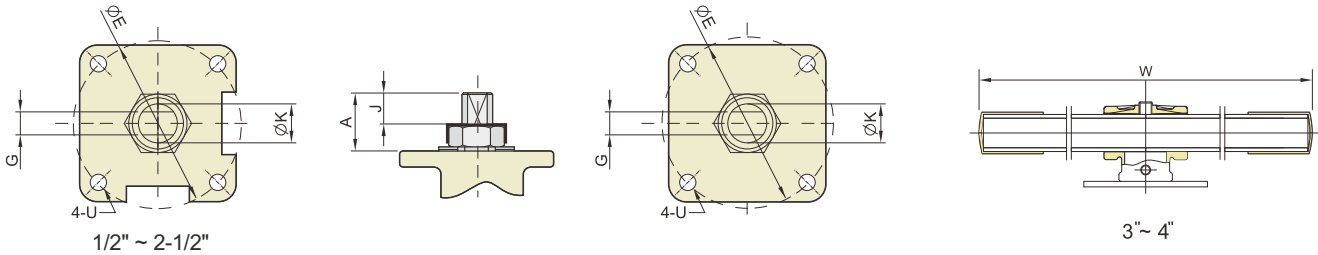
KV-041, KV-042 (Bracket Mount Type)  
KV-061, KV-062 (Bracket Mount Type / Fire Safe Type)

**DESIGN FEATURES:**

- Built-in ISO 5211 Mounting Pad for Easy Automation
- **Fire Safe** Design Approved
- Anti-Static Devices for Ball-Stem-Body
- Blow-out Proof Stem
- Pressure Balance Hole in Ball Slot
- **TA-LUFT** Design Approved
- Casting Boss on Body for Draining

**APPLICABLE STANDARDS:**

- Design : ASME B16.34
- Fire Safe : API 607 5<sup>th</sup> 2005, ISO 10497
- Face to Face : ASME B16.10
- Wall Thickness : ASME B16.34
- Flanged Ends : ASME B16.5
- Inspection & Testing : API 598, API 6D



**ASME CLASS 150**

**KV-041, KV-061**

Unit: mm

SIZE	d	L	R	D	C	f	T	H	H1	N	h	W	G	A	J	K	U	E	ISO 5211
1/2"	15	108	35.0	90	60.3	2	8.0	37.0	86.0	4	16	135	6.3	20.0	10	12	M5	42	F04
3/4"	20	117	43.0	100	69.9	2	8.9	40.0	99.0	4	16	135	6.3	20.0	10	12	M5	42	F04
1"	25	127	51.0	110	79.4	2	9.6	46.0	99.0	4	16	170	9.0	24.0	11	15	M6	50	F05
1-1/4"	32	140	63.5	115	88.9	2	11.2	50.0	101.0	4	16	170	9.0	24.0	11	15	M6	50	F05
1-1/2"	38	165	73.2	125	98.4	2	12.7	62.0	118.0	4	16	200	9.6	27.0	16	16	M8	70	F07
2"	50	178	92.0	150	120.7	2	14.3	71.0	127.0	4	19	200	9.6	27.0	16	16	M8	70	F07
2-1/2"	64	190	105.0	180	139.7	2	15.9	89.0	163.0	4	19	300	16.0	42.5	21	24	M10	102	F10
3"	76	203	127.0	190	152.4	2	17.5	100.0	172.5	4	19	300	16.0	42.5	21	24	M10	102	F10
4"	100	229	157.2	230	190.5	2	22.3	120.5	209.0	8	19	400	18.0	47.5	25	29	M10	102	F10

**ASME CLASS 300**

**KV-042, KV-062**

Unit: mm

SIZE	d	L	R	D	C	f	T	H	H1	N	h	W	G	A	J	K	U	E	ISO 5211
1/2"	15	140	35.0	95	66.7	2	12.7	36.5	84.0	4	16.0	135	6.3	20.0	10	12	M5	42	F04
3/4"	20	152	43.0	115	82.6	2	14.3	40.0	87.4	4	19.0	135	6.3	20.0	10	12	M5	42	F04
1"	25	165	51.0	125	88.9	2	15.9	45.5	96.0	4	19.0	170	9.0	24.0	11	15	M6	50	F05
1-1/4"	32	178	63.5	135	98.4	2	17.5	50.0	103.0	4	19.0	170	9.0	24.0	11	15	M6	50	F05
1-1/2"	38	190	73.2	155	114.3	2	19.1	60.5	108.0	4	22.3	200	9.6	27.0	16	16	M8	70	F07
2"	50	216	92.0	165	127.0	2	20.7	70.0	118.0	8	19.0	200	9.6	27.0	16	16	M8	70	F07
2-1/2"	64	241	104.7	190	149.2	2	23.9	88.0	160.0	8	22.3	300	16.0	42.5	21	24	M10	102	F10
3"	76	282	127.0	210	168.3	2	27.0	98.5	169.5	8	22.3	300	16.0	42.5	21	24	M10	102	F10
4"	100	305	157.0	255	200.0	2	30.2	120.0	209.0	8	22.3	400	18.0	47.5	25	29	M10	102	F10

**ASME CLASS 600**  
**2-PC Body, Flanged Ends, Full Port**

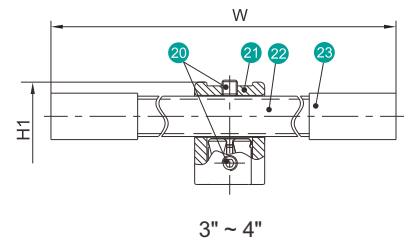
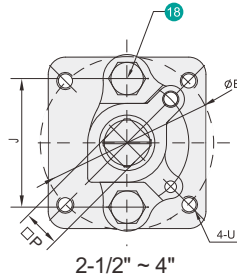
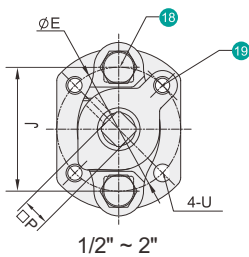
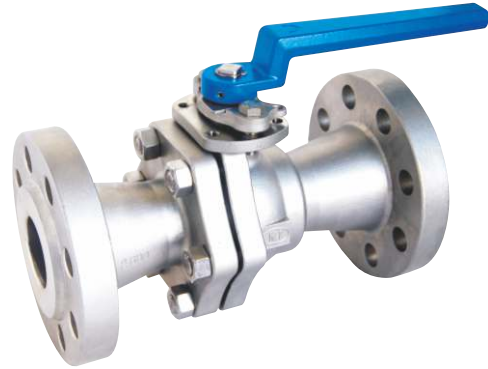
KV-043 (Bracket Mount Type)  
KV-063 (Bracket Mount Type / Fire Safe Type)

**DESIGN FEATURES:**

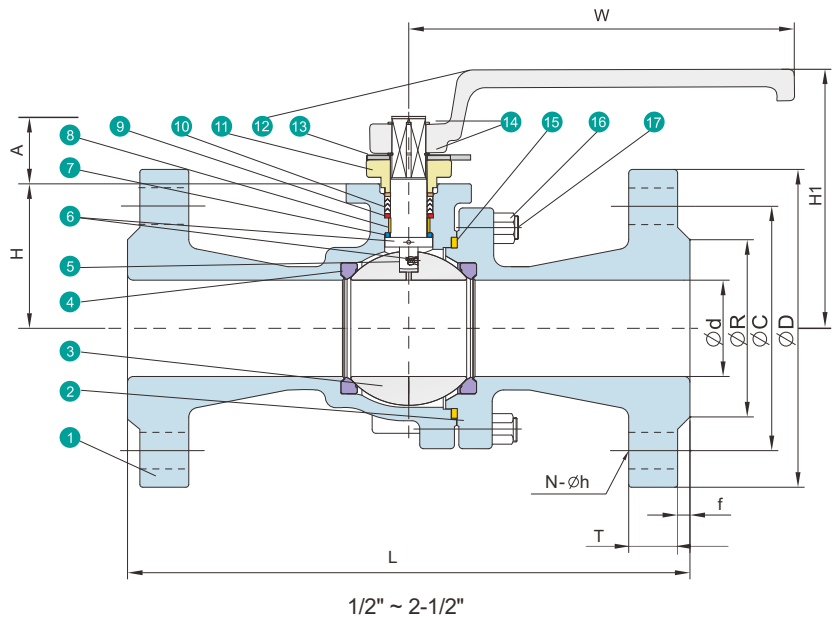
- Built-in ISO 5211 Mounting Pad for Easy Automation
- **Fire Safe** Design Approved
- Anti-Static Devices for Ball-Stem-Body
- Blow-out Proof Stem
- Pressure Balance Hole in Ball Slot
- Casting Boss on Body for Draining

**APPLICABLE STANDARDS:**

- Design : ASME B16.34
- Fire Safe : API 607 5<sup>th</sup> 2005, ISO 10497
- Face to Face : ASME B16.10
- Wall Thickness : ASME B16.34
- Flanged Ends : ASME B16.5
- Inspection & Testing : API 598, API 6D



NO.	PART NAME	MATERIALES		
1	Body	CF8M	CF8	WCB
2	Cap	CF8M	CF8	WCB
3	Ball	CF8M	CF8	
4	Ball Seat	TFM4215		
5	Stem	316	304	
6	Anti-Static	316	304	
7	Thrust Washer	PTFE		
8	Stem Jacket	PTFE		
9	Washer	316		
10	Stem Packing	PTFE /GRAFOIL*		
11	Yoke	304		
12	Handle (1/2"-2 1/2")	WCB/QT400-18		
13	Triangle Stopper	304		
14	Snap Ring	304		
15	Body Gasket	PTFE / 316 SPIRAL WOUND+GRAFOIL*		
16	Bolting	A193-B8	A193-B7	
17	Bolt Nut	A194-8	A194-2H	
18	Bolting	A2-70		
19	Set Screw (1/2"-2-1/2)	A2-70		
20	Set Screw (3"-4")	A2-70		
21	Handle Adapter (3"-4")	A351-CF8		
22	Handle (3"-4")	A53+Zn PLATED		
23	Handle Sleeve (3"-4")	VINYL PLASTIC		



\*Materials for KV-063 (Fire-Safe Models)

**ASME CLASS 600**

**KV-043, KV-063**

Unit: mm

SIZE	d	L	R	D	C	f	T	H	H1	N	h	W	P	A	J	U	E	ISO 5211
1/2"	15	165	35.0	95	66.7	7	14.3	39.0	89	4	15.8	130	9	23.2	40	M5	42	F04
3/4"	20	190	42.9	115	82.6	7	15.9	46.3	96	4	19.0	130	9	23.2	40	M5	42	F04
1"	25	216	50.8	125	88.9	7	17.5	49.5	107	4	19.0	160	11	27.0	50	M6	50	F05
1-1/4"	32	229	63.5	135	98.4	7	20.7	60.5	115	4	19.0	160	11	27.0	50	M6	50	F05
1-1/2"	38	241	73.2	155	114.3	7	22.3	66.0	127	4	22.2	265	14	34.5	66	M8	70	F07
2"	50	292	91.9	165	127.0	7	25.4	77.0	136	8	19.0	265	14	34.5	66	M8	70	F07
2-1/2"	65	330	104.6	190	149.2	7	28.6	98.5	166	8	22.2	265	17	50.3	75	M10	102	F10
3"	76	356	127.0	210	168.3	7	31.8	108.0	204	8	22.2	400	17	50.3	75	M10	102	F10
4"	100	432	157.2	275	215.9	7	38.1	136.0	208	8	25.4	400	22	55.4	75	M10	102	F10